

# CLD

## CYCLONE DUST ABATEMENT SYSTEM

ontes®

technology & ecology

Dust abatement with granulometry > 5 µm



100%

Customisable

### VARIANTS AND CONFIGURATIONS

#### STRUCTURE



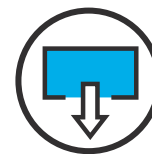
- Steel
- Galvanized steel
- Stainless steel
- Wear-resistant steel
- Polypropylene

#### SURFACE FINISHING



- Powder coating
- Antistatic painting

#### DUST DISCHARGE SYSTEM



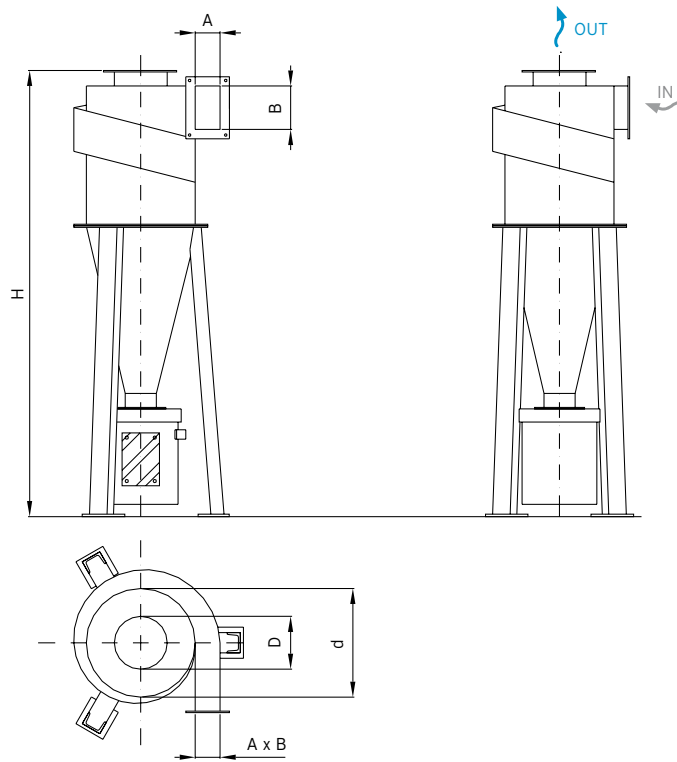
- Rotary valve
- Big-Bag
- Dust collection bin

#### APPLICATIONS

- Shot blasting
- Smoothing
- Polishing
- Sandblasting
- Smear
- Grinding
- Powder coating

#### SPECIAL EXECUTIONS

- Antistatic
- ATEX



MODEL	DIMENSIONS (mm)					AIR FLOW RATE <sup>1</sup> (m <sup>3</sup> /h)
	A	B	H	D	d	
CLD01	150	250	2.790	300	600	3.600
CLD02	220	410	3.670	450	900	7.200
CLD03	270	480	4.220	550	1.100	10.800
CLD04	310	520	4.410	600	1.200	14.400
CLD05	360	560	4.690	650	1.300	18.000
CLD06	400	580	4.970	700	1.400	21.600
CLD07	450	620	5.360	750	1.500	25.200
CLD08	490	650	5.640	800	1.600	28.800
CLD09	540	680	5.920	850	1.700	32.400
CLD10	580	700	6.490	900	1.800	36.000

<sup>1</sup> Air temperature 20 °C – Relative humidity 40 %  
All technical may be subject to change without notice.

## CLD | CYCLONE DUST ABATEMENT SYSTEM

### Montes srl

Via XX Settembre 33

37032 Monteforte d'Alpone - Verona - Italy

Tel. +39 045 610 02 14 - Fax +39 045 761 11 00

info@montes.it - www.montes.it

Authorized distributor